

SPECIFICATIONS

6 INCH SELF PRIMING

Premier Pump Model P3WSP6A-4045TF280-60 Engine Driven, Heavy Duty Solids Handling Pump

Pump Specifications:

- Pump size: 6"X 6" flange to flange
- Pump Casing: Ductile Iron
- Operating pressure: Maximum 120 psi (797 kPa)
- Impeller: Open type, two vane, cast steel. Passes 3" solids
- Impeller Shaft: Stainless steel No. 17-4PH
- Wear Plate: Replaceable, Hardened Carbon Steel no. 1015
- Cover Plate: Removable/adjustable ductile iron
- Flap valve: Neoprene with steel reinforcing ring
- Bearing housing: Ductile Iron
- Seal Plate: Ductile Iron
- Shaft Sleeve: 17-4PH stainless steel
- Radial Bearing: Open single ball
- Thrust Bearing: Open double ball
- Bearing/Seal Cavity Lubrication: SAE No. 30 oil
- Flanges: 125# Ductile iron ANSI
- Gaskets: Buna-N, compressed synthetic fibers, vegetable fiber, PTFE, cork, and rubber
- O-Rings: Buna-N
- Hardware: Plated steel/grade 8/SST
- Pressure release valve: Brass

Optional Equipment and Materials: Hi-Chrome, CD4MCu. Automatic air release valve, 120V/240V casing heater. High pump temperature shutdown kit, moisture probe, gauge kit, Other elastomers available.

Engine Specification:

- Model: John Deere model 4045TF280
- 80 intermittent horsepower @ 2400 RPM
- Four cylinder, four cycle, water cooled diesel engine
- Governor: Mechanical
- Lubrication: Force Feed
- Air Cleaner: Filter element
- Fuel Tank: 60 US gallons
- Run time: Full load (1800 RPM) ~ 24 hours
- Starter: 12 volt electric

Standard features: Safety shutdown switches for low oil pressure and high temperature. Instrument panel with temperature and oil pressure gauge, ampmeter, hourmeter and tachometer. Muffler with rain cap. Engine to pump coupling: SAE4 housing with 10" rubber disc drive.



Standard Skid: Heavy duty fabricated steel frame. Integral fuel tank, lifting bilt, lockable fuel tank, and one 1½" clean-out/drain plug

Standard Trailer: Heavy duty fabricated steel frame, integral fuel tank, fenders, lifting bail, lockable fuel cap, 3500# Anti-torsional axle, two (2) front adjustable leveling jacks and two (2) rear adjustable leveling jacks, one 1½" clean-out plug, fuel gauge, adjustable height tongue with easy conversion from ball hitch to Lunette eye

Trailer Options: DOT light package, work lights, special tires & wheels, dual axles, diamond plate fenders, surge brakes, lockable enclosed instrument panel, lockable enclosed engine housing, storage box, hose rack and more

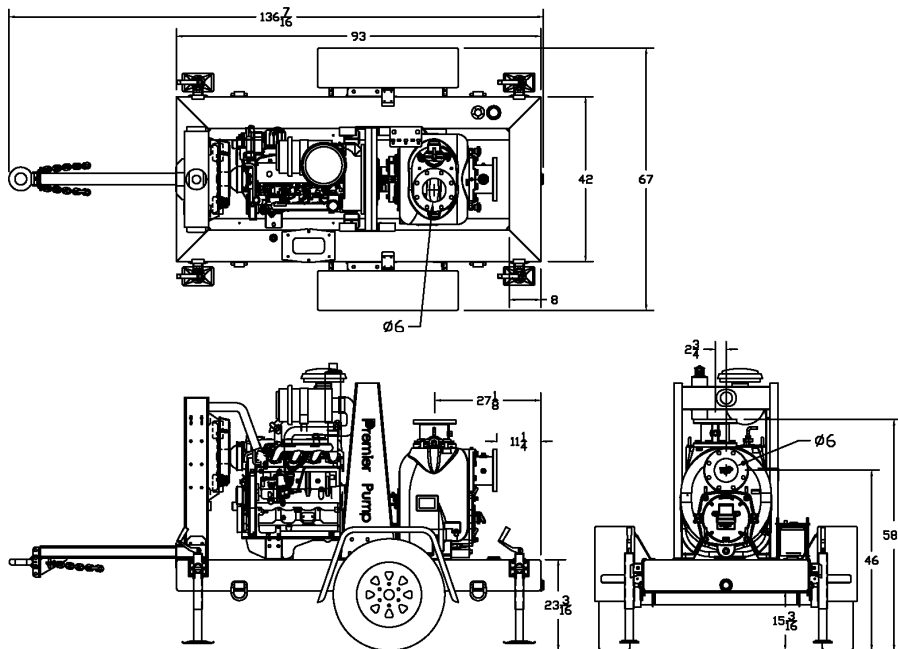
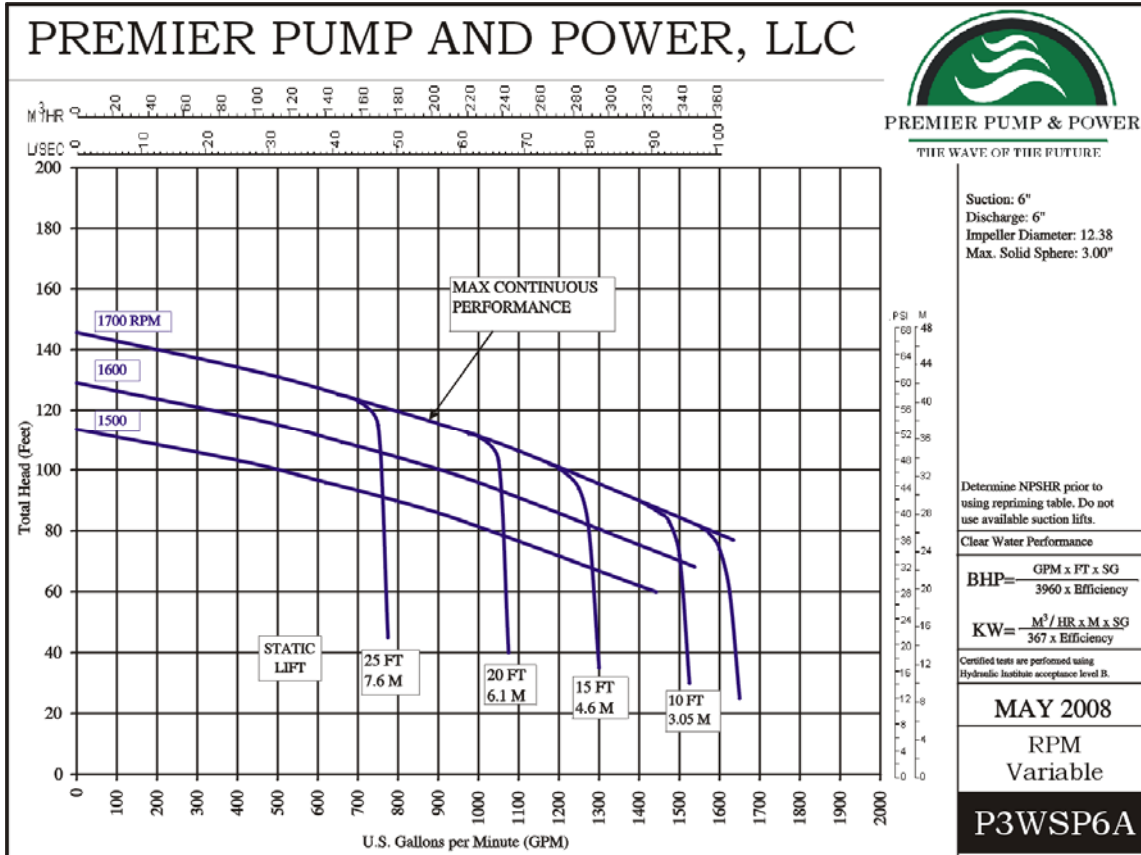


PREMIER PUMP & POWER

THE WAVE OF THE FUTURE

Premier Pump and Power, LLC

www.wastewaterpumps.net



Specifications subject to change without notice

Premier Pump and Power, LLC • PO Box 6423 • Vancouver, WA 98668 • Phone 360.574.4519 • Fax 772.679.5989