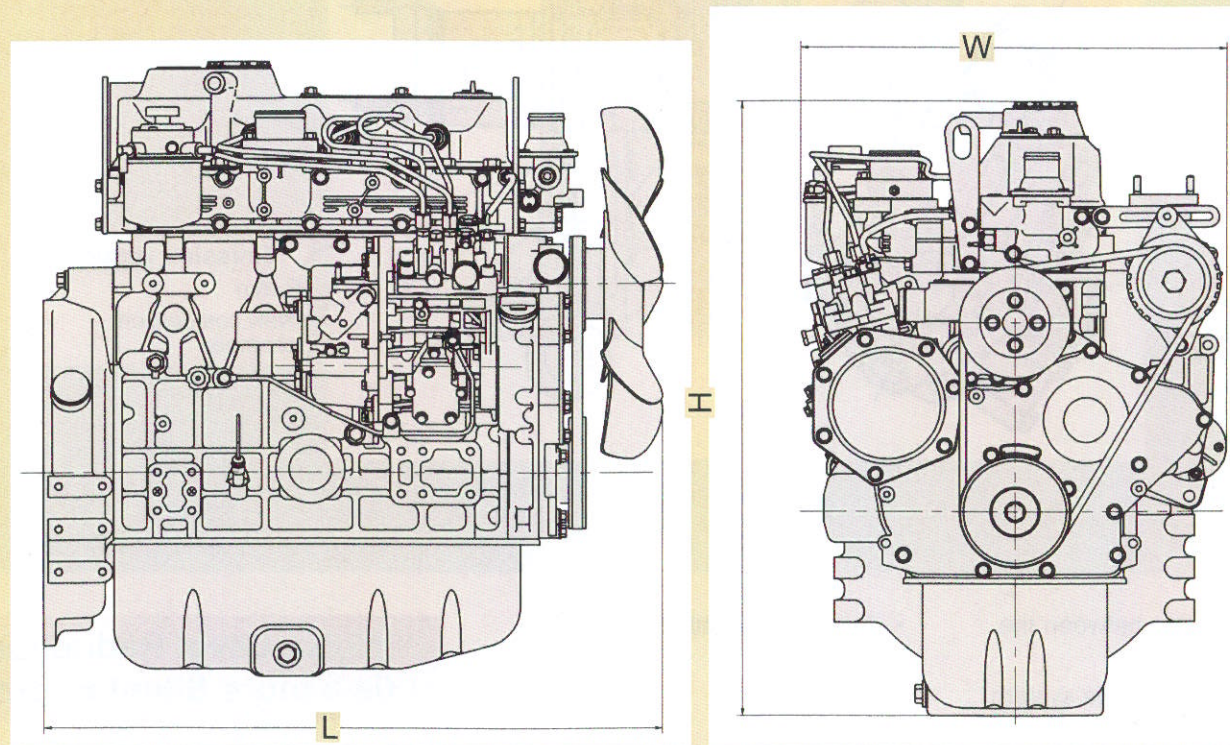


SPECIFICATIONS

Model	4TNV98		4TNV98T	
	-NSA	-GGE	-NSA	-GGE
Specification	Vertical Cylinder, Inline, 4-cycle, Water-Cooled Diesel Engine			
Type	Vertical Cylinder, Inline, 4-cycle, Water-Cooled Diesel Engine			
Combustion	DI		DI	
Aspiration	NA		Turbo	
No. of cylinders	4		4	
Cyl. bore x stroke	mm 98 x 110		98 x 110	
Displacement	L 3.318		3.318	
Rated output	hp/rpm 67.7/2500	54.7/1800	83.5/2500	67.2/1800
Cooling system	Radiator		Radiator	
Starting system	Electric		Electric	

DIMENSIONS



Model	4TNV98			4TNV98T		
	SA	SA2	GGE	SA	SA2	GGE
L (in.)	31.14"	28.15"	30.3"	31.14"	29.44"	30.4"
W (in.)	20.31"	20.31"	20.94"	21.26"	21.26"	21.26"
H (in.)	29.76"	29.76"	29.13"	33.62"	33.62"	32.99"
Dry wt. (lbs)	581	535	584	603	557	606

Note: All data subject to alteration without notice.

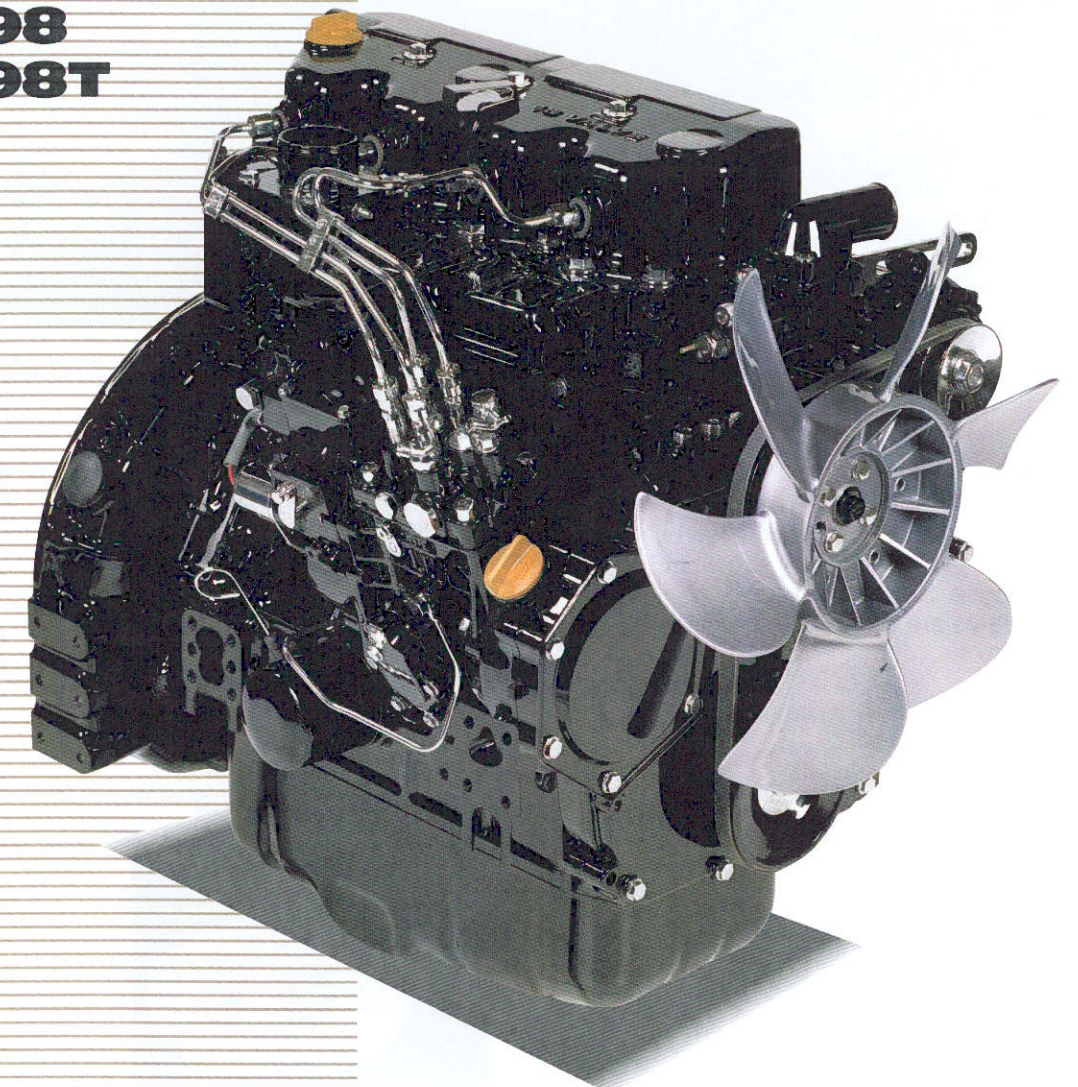
YANMAR®

DIESEL ENGINES

TNV series -3

54.7~83.5 hp

4TNV98
4TNV98T



Photograph may show optional equipment.